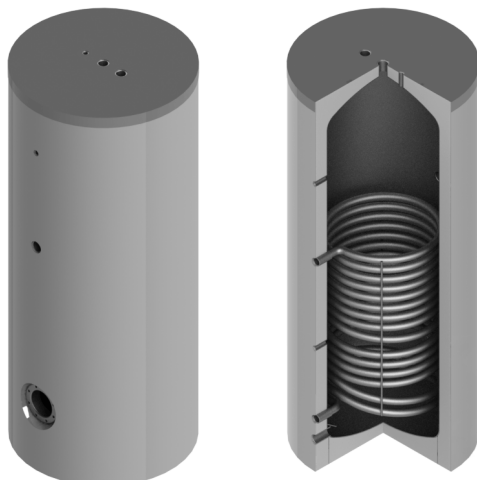


DIN

EN 12897
 EnEV 730.02
 ErP 812/2013
 ErP 814/2013
 SIA 385/1
 DIN 4753

 SVGW
 SSIGE
 1006-5752

CE



Bauart

Design | Structure | Struttura

Die Speicher werden aus hochwertigem Stahl nach EN 10025:2019 gefertigt.
 Die Speicher werden nach EN 12897:2020 dimensioniert, gefertigt und zertifiziert.

EN The storage tanks are made from high quality steel in accordance with EN 10025:2019.

The storage tanks are designed, manufactured and certified in accordance with EN 12897:2020.

FR Les ballons sont fabriqués en acier de grande qualité selon la norme EN 10025:2019.

Les ballons sont dimensionnés, fabriqués et certifiés selon la norme EN 12897:2020.

IT Gli accumulatori sono realizzati in acciaio pregiato secondo la norma EN 10025:2019.

Gli accumulatori sono dimensionati, costruiti e certificati secondo la norma EN 12897:2020.

| | |
|-----------------------------------------------------------------------------------------------------------------------------------------------------------------|--------------------------------|
| Betriebsdruck / Prüfdruck Operating pressure / test pressure Pression de service / Pression test Pressione d'esercizio / Pressione di collaudo | 6 bar / 12 bar |
| Einsatzgebiet Application Application Applicazione | max. 95°C ≥ 6°dH ≥ 11°FH |

Lieferumfang

Delivery | Livraison | Consegna

| | Dimension Dimension Dimensione | Art.Nr. | | | | | | | | | | | | | | | | |
|----------------------------------------------------------------------------------------------------------------------------------------------|--------------------------------------|------------|-----|-----|-----|-----|-----|-----|-----|-----|------|------|------|------|------|----|--|--|
| | | | 120 | 150 | 200 | 300 | 400 | 500 | 600 | 800 | 1000 | 1250 | 1500 | 1750 | 2000 | | | |
| Thermometer (Messing) Thermometer (Brass) Thermomètre (Laiton) Termometro (Ottone) | 100 mm | 6001150100 | 1x | 1x | 1x | 1x | 1x | 1x | 1x | | | | | | | | | |
| | 200 mm | 6001150200 | | | | | | | | 1x | 1x | 1x | 1x | 1x | 1x | | | |
| Tauchhülse (Messing) Thermowell (Brass) Doigt de gant (Laiton) Sonda a immersione (Ottone) | 500 mm | 6001180500 | 1x | 1x | 1x | | | | | | | | | | | | | |
| | 800 mm | 6001180800 | | | | 1x | 1x | | | | | | | | | | | |
| | 1000 mm | 6001181000 | | | | | | 1x | 1x | 1x | 1x | 1x | 1x | 1x | 1x | 1x | | |
| Magnesium Schutzanode Magnesium protection anode Anodo de protection en magnésium Anodo protettivo di magnesio | 520 mm | 6001140520 | 1x | 1x | 1x | | | | 2x | 1x | 1x | | | | | | | |
| | 750 mm | 6001140750 | | | | 1x | 1x | | | | | 1x | 1x | | | | | |
| | 1000 mm | 6001141000 | | | | | | 1x | | 1x | 1x | 1x | 1x | 2x | 2x | | | |



Schutz vor Korrosion

Anti-corrosion protection | Protection contre la corrosion | Protezione anticorrosiva

Emallierung nach DIN 4753. Magnesium Schutzanode nach DIN 4753-3. Speicher mit separater Isolierung sind aussen grundiert.

EN Enamelling in accordance with DIN 4753. Magnesium protection anode in accordance with DIN 4753-3. Tanks with separate insulation are primed on the outside.

FR Émaillage conforme à la norme DIN 4753. Anode de protection en magnésium conforme à la norme DIN 4753-3. Les réservoirs avec isolation séparée sont apprêtés à l'extérieur.

IT Smaltatura secondo DIN 4753. Anodo protettivo di magnesio secondo DIN 4753-3. Gli accumulatori con isolamento separato vengono primerizzati all'esterno.

Wärmetauscher

Heat exchanger | Échangeur de chaleur | Scambiatore di calore

Ein eingeschweisster grossflächiger Wärmetauscher.

EN One welded large-surface heat exchanger.

FR Un échangeur de chaleur grande surface soudé.

IT Uno scambiatore di calore saldato di grande superficie.

| | |
|--------------------------------------------------------------------------------------------------------------------------------------------------------------|----------------|
| Betriebsdruck / Prüfdruck Operating pressure / test pressure Pression de service / Pression test Pressione d'esercizio / Pressione di collaudo | 6 bar / 12 bar |
| Einsatzgebiet Application Applicazione | max. 110°C |

Isolierung

Insulation | Isolation | Isolamento

PUR-Hartschaum

60 mm PUR-Hartschaum fix geschäumt. Skaimantel 5 mm mit Reissverschluss vormontiert, inklusive Rosetten und Abdeckhaube. Brandschutzklasse B2. Silber. Weitere Farben nach Absprache.

UltraShell

Mehrschicht-Isolierung aus 80 mm Hartschaum + 20 mm Faservlies. PS-Mantel und Hakenleiste, inklusive Rosetten und Abdeckhaube. Brandschutzklasse B2. Silber. Lose geliefert.

EN Rigid polyurethane foam (PUR)

60 mm rigid polyurethane foam. Skai jacket 5 mm with zip preassembled, including cover plates and hood. Fire-resistance rating B2. Silver. Other colours on request.

FR Mousse solidifiée PUR

60 mm de mousse dure PUR Enveloppe en skai de 5 mm préinstallée avec fermeture à glissière, y compris rosettes et capot. Classe allemande de protection incendie B2. Argent. Autres couleurs après concertation.

IT Schiuma PUR rigida

60 mm di schiuma rigida di poliuretano fissa. Mantello in skai da 5 mm pre-assemblato con cerniera, dotato di rosette e calotta di copertura. Classe di resistenza antincendio B2. Argent. Altri colori su richiesta.

UltraShell

Multilayer insulation made of 80 mm rigid foam + 20 mm fibre fleece. PS jacket and hook rack, including cover plates and hood. Fire-resistance rating B2. Silver. Supplied loose.

UltraShell

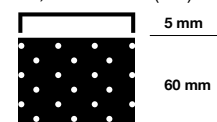
Isolation multicouche constituée de 80 mm de mousse dure + 20 mm de tissu fibreux. Enveloppe en PS équipée d'un support à crochets préinstallé, y compris rosettes et capot. Classe allemande de protection incendie B2. Argent. Livrée non montée.

UltraShell

Isolamento multistrato con 80 mm di schiuma rigida + 20 mm di tessuto non tessuto. Mantello in PS e barra con ganci, rosette e calotta di copertura incluse. Classe di resistenza antincendio B2. Argent. Consegna sfusa.

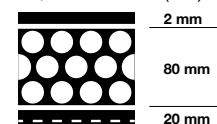
≤ 600 L

PUR (Polyurethane)
B2; λ = 0.026 W/(mK)



800 – 2000 L

UltraShell
B2; λ = 0.0316 W/(mK)



Trinkwasserspeicher
Domestic hot water tank
Ballon eau chaude sanitaire
Serbatoio di accumulo acqua calda sanitaria
SF/E 120–2000

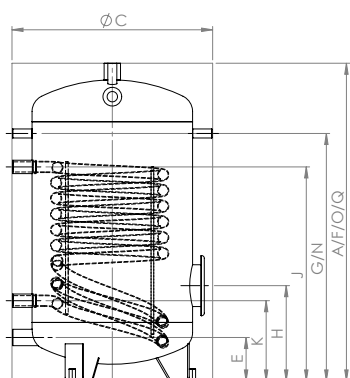
| Typ SF/E | | 120 | 150 | 200 | 300 | 400 | 500 | 600 | 800 | 1000 | 1250 | 1500 | 1750 | 2000 | |
|------------------------------------------------------------------------------------------------------------------------------------|-----------|------------------------------------------------------------------------------------------------|------|------|------|------|------|------|-----------------------|------|------|------|------|------|--|
| Inhalt Capacity Contenance Contenuto | l | 115 | 140 | 191 | 304 | 408 | 498 | 559 | 830 | 925 | 1226 | 1413 | 1728 | 1926 | |
| Ø mit Isolierung with insulation avec isolation con isolamento | mm | 600 | 600 | 600 | 650 | 750 | 750 | 750 | 990 | 990 | 1100 | 1200 | 1300 | 1300 | |
| Ø ohne Isolierung without insulation sans isolation senza isolamento | mm | - | - | - | - | - | - | - | 790 | 790 | 900 | 1000 | 1100 | 1100 | |
| Höhe mit Isolierung Height with insulation Hauteur avec isolation Altezza con isolamento | mm | 800 | 950 | 1215 | 1570 | 1500 | 1800 | 2000 | 1990 | 2190 | 2240 | 2120 | 2150 | 2350 | |
| Kippmass Tilted dimension Cote de basculement Altezza in raddrizzamento | mm | 1000 | 1130 | 1360 | 1710 | 1690 | 1960 | 2150 | 2020 | 2200 | 2270 | 2190 | 2250 | 2430 | |
| Einbringmass Delivery dimensions Cote de mise en place Ingombro | mm | 600 | 600 | 600 | 650 | 750 | 750 | 750 | 790 | 790 | 900 | 1000 | 1100 | 1100 | |
| Betriebsdruck Heizung Heater operating pressure Pression de service du chauffage Pressione d'esercizio riscaldamento | bar | 6 | 6 | 6 | 6 | 6 | 6 | 6 | 6 | 6 | 6 | 6 | 6 | 6 | |
| Betriebsdruck Wasser Water operating pressure Pression de service de l'eau Pressione d'esercizio acqua | bar | 6 | 6 | 6 | 6 | 6 | 6 | 6 | 6 | 6 | 6 | 6 | 6 | 6 | |
| Prüfdruck Test pressure Pression test Pressione di collaudo | bar | 12 | 12 | 12 | 12 | 12 | 12 | 12 | 12 | 12 | 12 | 12 | 12 | 12 | |
| max. Betriebstemperatur max. operating temperature Temp. de service max. Temperatura max. d'esercizio | °C | 95 | 95 | 95 | 95 | 95 | 95 | 95 | 95 | 95 | 95 | 95 | 95 | 95 | |
| Gewicht Weight Poids Peso | kg | 46 | 69 | 87 | 116 | 136 | 161 | 173 | 258 | 274 | 319 | 381 | 403 | 446 | |
| Art.Nr. Part no. Réf. Art.n. | 100102... | 0120 | 0150 | 0200 | 0300 | 0400 | 0500 | 0600 | 0800 | 1000 | 1250 | 1500 | 1750 | 2000 | |
| Isolierung Insulation Isolation Isolamento | | 60 mm fix eingeschäumt Fixed with foam Enrobage mousse fixe Schiuma rigida fissa | | | | | | | UltraShell 100 | | | | | | |
| Wärmeverlust Heat losses Pertesthermiques Perdita di calore | kWh/24h | 0,82 | 0,84 | 1,01 | 1,44 | 1,69 | 1,95 | 2,05 | 3,29 | 3,45 | 3,64 | 3,84 | 4,05 | 4,42 | |
| | W | 34 | 35 | 43 | 60 | 71 | 82 | 86 | 138 | 144 | 152 | 159 | 169 | 185 | |
| ErP-Klasse ErP class Classe ErP Classe ErP | | A | A | A | B | B | B | B | C | C | C | C | C | C | |
| Gewicht Weight Poids Peso | kg | - | - | - | - | - | - | - | 35 | 40 | 45 | 50 | 55 | 60 | |
| Art.Nr. Part no. Réf. Art.n. | 300102... | - | - | - | - | - | - | - | 0809 | 1009 | 1259 | 1509 | 1759 | 2009 | |



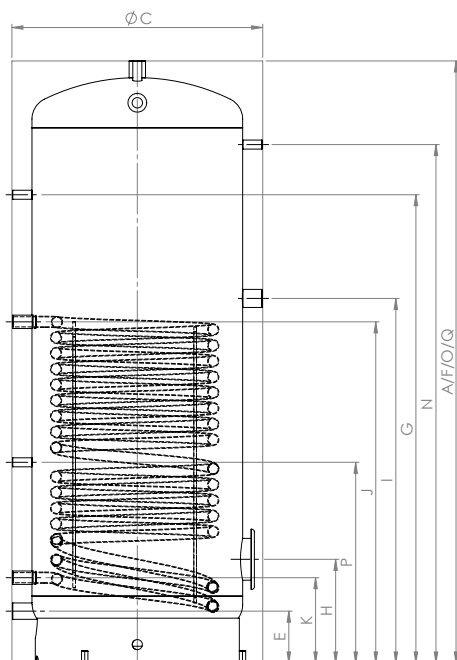
| Typ SF/E | | 120 | 150 | 200 | 300 | 400 | 500 | 600 | 800 | 1000 | 1250 | 1500 | 1750 | 2000 |
|-------------------------------------------------------------------------------------------------------------------------------------------------|--------------------|-----|------|------|------|------|------|------|------|------|------|------|------|------|
| Glattrohrwärmetauscher Heating coil Échangeurs de chaleur Serpentino | m ² | 0.6 | 1.0 | 1.3 | 1.6 | 1.9 | 2.4 | 2.4 | 3.7 | 3.7 | 4.1 | 4.4 | 5.0 | 5.4 |
| Inhalt Glattrohrwärmetauscher Heating coil capacity Contenance échangeurs de chaleur Contenuto serpentino | l | 3.5 | 5.8 | 7.8 | 9.9 | 12.4 | 15.5 | 15.5 | 24.2 | 24.2 | 27.0 | 28.8 | 32.9 | 35.3 |
| Durchflussmenge Throughput Débit Portata flusso | m ³ / h | 0.8 | 1.3 | 1.6 | 2.0 | 2.4 | 3.0 | 3.0 | 4.7 | 4.7 | 5.2 | 5.6 | 6.3 | 6.8 |
| Druckverlust Pressure loss Perte de charge Perdita di pressione | mbar | 20 | 20 | 40 | 70 | 110 | 230 | 230 | 160 | 160 | 220 | 280 | 400 | 510 |
| Dauerleistung Continuous output Régime permanent Potenza continua 10°C / 45°C / 80°C | l / h | 217 | 362 | 471 | 580 | 688 | 870 | 870 | 1339 | 1339 | 1485 | 1590 | 1808 | 1950 |
| max. Glattrohrwärmetauscherleistung max. heating coil output Puissance max. d'échangeurs de chaleur Potenza max. serpentino | kW | 8.8 | 14.7 | 19.1 | 23.6 | 28.0 | 35.3 | 35.3 | 54.5 | 54.4 | 60.4 | 64.8 | 73.6 | 79.5 |

Trinkwasserspeicher
 Domestic hot water tank
 Ballon eau chaude sanitaire
 Serbatoio di accumulo acqua calda sanitaria
 SF/E 120–2000

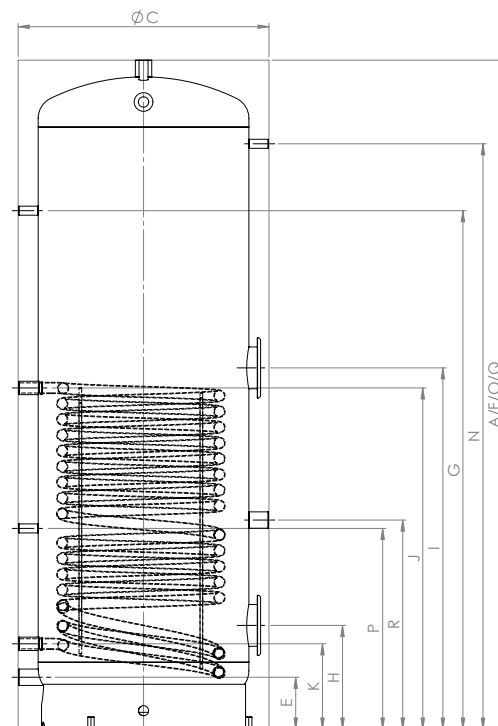
150 – 2000



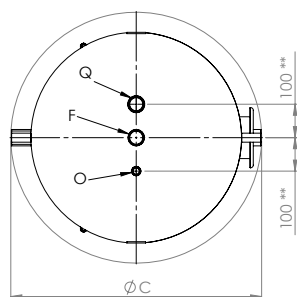
120–150



200 – 500



600



120 – 600

** 300: 80 mm



| | Verwendung Usage Utilisation Uso | Dimension Dimension Dimension Dimensione | 120 * | 150 | 200 | 300 | 400 | 500 | 600 |
|---|---------------------------------------------------------------------------------------------------------------------------------------------------------------------------------------------------------------------------------------|---------------------------------------------------|---------|---------|---------|---------|---------|---------|---------|
| A | Höhe Height Hauteur Altezza | ○ – mm | 800 | 950 | 1215 | 1570 | 1500 | 1800 | 2000 |
| C | Ø | ○ – mm | 600 | 600 | 600 | 650 | 750 | 750 | 750 |
| E | Kaltwasser Cold water Eau froide Acqua fredda | ⇕ – mm | 130 | 130 | 130 | 140 | 155 | 155 | 155 |
| | | G" – mm | 1 ¼" | 1 ¼" | 1 ¼" | 1 ¼" | 1 ¼" | 1 ¼" | 1 ¼" |
| F | Warmwasser Hot water Eau chaude Acqua calda | ⇕ – mm | 800 | 950 | 1215 | 1570 | 1500 | 1800 | 2000 |
| | | G" – mm | 1 ¼" | 1 ¼" | 1 ¼" | 1 ¼" | 1 ¼" | 1 ¼" | 1 ¼" |
| G | Zirkulation Circulation Circulation Circolazione | ⇕ – mm | 590 | 740 | 950 | 1200 | 1150 | 1400 | 1550 |
| | | G" – mm | ½" | ½" | ½" | ½" | ½" | ½" | ½" |
| H | Flansch unten Flange below Bride du bas Flangia inferiore | ⇕ – mm | 285 | 285 | 285 | 295 | 310 | 310 | 310 |
| | | Ø – mm | 180/120 | 180/120 | 180/120 | 180/120 | 180/120 | 180/120 | 180/120 |
| I | Flansch oben / Muffe E-Heizung Flange above / Sleeve heater Bride du haut / Manchon chauffage Flangia superiore / Manicotto riscaldatore | ⇕ – mm | - | - | 840 | 910 | 920 | 1090 | 1080 |
| | | Ø – mm | - | - | 1 ½" | 1 ½" | 1 ½" | 1 ½" | 180/120 |
| J | VL Glattröhrwärmetauscher Heating coil Échangeurs de chaleur Serpentino | ⇕ – mm | 490 | 640 | 780 | 840 | 855 | 1020 | 1020 |
| | | G" – mm | 1" | 1" | 1" | 1" | 1" | 1" | 1" |
| K | RL Glattröhrwärmetauscher Heating coil Échangeurs de chaleur Serpentino | ⇕ – mm | 240 | 240 | 240 | 240 | 255 | 255 | 255 |
| | | G" – mm | 1" | 1" | 1" | 1" | 1" | 1" | 1" |
| N | Thermometer Thermometer Thermomètre Termometro | ⇕ – mm | 590 | 740 | 1000 | 1350 | 1250 | 1550 | 1750 |
| | | G" – mm | ½" | ½" | ½" | ½" | ½" | ½" | ½" |
| O | Fühlerhülse Sensor sleeve Manchon de sonde Manicotto sensore | ⇕ – mm | 800 | 950 | 1215 | 1570 | 1500 | 1800 | 2000 |
| | | G" – mm | ½" | ½" | ½" | ½" | ½" | ½" | ½" |
| P | Fühler Sensor Sonde Sensor | ⇕ – mm | - | - | - | 570 | 590 | 600 | 600 |
| | | G" – mm | - | - | - | ½" | ½" | ½" | ½" |
| Q | Magnesiumanode Magnesium anode Anode de magnésium Anodo in magnesio | ⇕ – mm | 800 | 950 | 1215 | 1570 | 1500 | 1800 | 2000 |
| | | G" – mm | 1 ¼" | 1 ¼" | 1 ¼" | 1 ¼" | 1 ¼" | 1 ¼" | 1 ¼" |
| R | Magnesiumanode Magnesium anode Anode de magnésium Anodo in magnesio | ⇕ – mm | - | - | - | - | - | - | 625 |
| | | G" – mm | - | - | - | - | - | - | 1 ¼" |
| | Max. Einbaulänge von Elektroheizungen Maximum installation length of electric heaters Longueur maximale d'installation des chauffages électriques Lunghezza massima di installazione dei riscaldatori elettrici | ↑ – mm | - | - | 520 | 540 | 630 | 630 | 630 |
| | | ⇓ – mm | 410 | 410 | 410 | 450 | 560 | 560 | 560 |

* Produktion auf Anfrage
Production on Request | Production à la demande | Produzione su richiesta



mit Isolierung
with insulation | avec isolation | con isolamento



Höhe
Height | Hauteur | Altezza



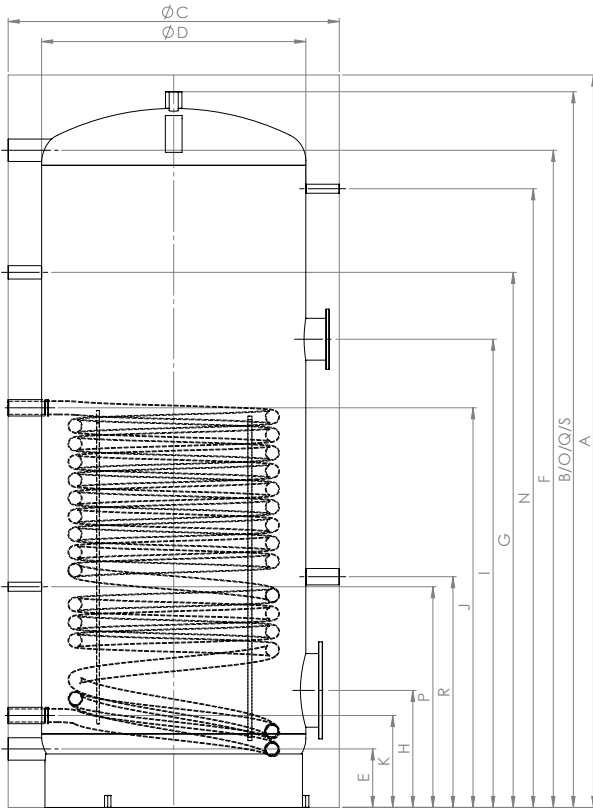
Oben
top | haut | superiore



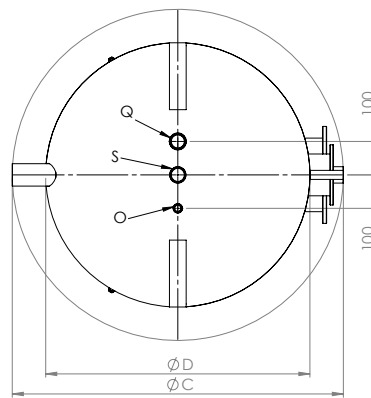
Unten
bottom | bas | parte inferiore

Trinkwasserspeicher
Domestic hot water tank
Ballon eau chaude sanitaire
Serbatoio di accumulo acqua calda sanitaria
SF/E 120-2000

800 - 2000



800 - 2000



800 - 2000

- * ACHTUNG: Magnesium Schutzanode
- * ATTENTION Magnesium anode
- * ATTENTION Anode de magnésium
- * ATTENZIONE Anodo in magnesio



| | Verwendung Usage Utilisation Uso | Dimension Dimension Dimension Dimensione | 800 | 1000 | 1250 | 1500 | 1750 | 2000 |
|---|---------------------------------------------------------------------------------------------------------------------------------------------------------------------------------------------------------------------------------------|---------------------------------------------------|---------|---------|---------|---------|---------|---------|
| A | Höhe Height Hauteur Altezza | ⊙ - mm | 1990 | 2190 | 2240 | 2120 | 2150 | 2350 |
| B | | ○ - mm | 1940 | 2140 | 2190 | 2070 | 2100 | 2300 |
| C | Ø | ⊙ - mm | 990 | 990 | 1100 | 1200 | 1300 | 1300 |
| D | | ○ - mm | 790 | 790 | 900 | 1000 | 1100 | 1100 |
| E | Kaltwasser Cold water Eau froide Acqua fredda | ↕ - mm | 175 | 175 | 200 | 220 | 235 | 235 |
| | | G" | 2" | 2" | 2" | 2" | 2" | 2" |
| F | Warmwasser Hot water Eau chaude Acqua calda | ↕ - mm | 1765 | 1965 | 1990 | 1730 | 1730 | 1930 |
| | | G" | 2" | 2" | 2" | 2" | 2" | 2" |
| G | Zirkulation Circulation Circulation Circolazione | ↕ - mm | 1400 | 1600 | 1600 | 1450 | 1450 | 1650 |
| | | G" | 1" | 1" | 1" | 1" | 1" | 1" |
| H | Flansch unten Flange below Bride du bas Flangia inferiore | ↕ - mm | 350 | 350 | 400 | 470 | 480 | 480 |
| | | Ø - mm | 290/220 | 290/220 | 290/220 | 290/220 | 290/220 | 290/220 |
| I | Flansch oben Flange above Bride du haut Flangia superiore | ↕ - mm | 1400 | 1400 | 1300 | 1350 | 1350 | 1400 |
| | | Ø - mm | 180/120 | 180/120 | 180/120 | 180/120 | 180/120 | 180/120 |
| J | VL Glatrohrwärmetauscher Heating coil Échangeurs de chaleur Serpentino | ↕ - mm | 1195 | 1195 | 1220 | 1250 | 1250 | 1310 |
| | | G" | 1 ¼" | 1 ¼" | 1 ¼" | 1 ¼" | 1 ¼" | 1 ¼" |
| K | RL Glatrohrwärmetauscher Heating coil Échangeurs de chaleur Serpentino | ↕ - mm | 275 | 275 | 320 | 360 | 360 | 360 |
| | | G" | 1 ¼" | 1 ¼" | 1 ¼" | 1 ¼" | 1 ¼" | 1 ¼" |
| N | Thermometer Thermometer Thermomètre Termometro | ↕ - mm | 1650 | 1850 | 1900 | 1750 | 1750 | 1950 |
| | | G" | ½" | ½" | ½" | ½" | ½" | ½" |
| O | Fühlerhülse Sensor sleeve Manchon de sonde Manicotto sensore | ↕ - mm | 1940 | 2140 | 2190 | 2070 | 2100 | 2300 |
| | | G" | ½" | ½" | ½" | ½" | ½" | ½" |
| P | Fühler Sensor Sonde Sensor | ↕ - mm | 660 | 660 | 680 | 590 | 600 | 600 |
| | | G" | ½" | ½" | ½" | ½" | ½" | ½" |
| Q | Magnesiumanode Magnesium anode Anode de magnésium Anodo in magnesio | ↕ - mm | 1940 | 2140 | 2190 | 2070 | 2100 | 2300 |
| | | G" | 1 ¼" | 1 ¼" | 1 ¼" | 1 ¼" | 1 ¼" | 1 ¼" |
| R | Magnesiumanode Magnesium anode Anode de magnésium Anodo in magnesio | ↕ - mm | 690 | 690 | 710 | 800 | 810 | 820 |
| | | G" | 1 ¼" | 1 ¼" | 1 ¼" | 1 ¼" | 1 ¼" | 1 ¼" |
| S | Anschluss oben Connection top Lien ci-dessus Collegamento sopra | ↕ - mm | 1940 | 2140 | 2190 | 2070 | 2100 | 2300* |
| | | G" | 1 ¼" | 1 ¼" | 1 ¼" | 1 ¼" | 1 ¼" | 1 ¼" |
| | Max. Einbaulänge von Elektroheizungen Maximum installation length of electric heaters Longueur maximale d'installation des chauffages électriques Lunghezza massima di installazione dei riscaldatori elettrici | ↑ - mm | 800 | 800 | 920 | 1020 | 1120 | 1120 |
| | | ↓ - mm | 690 | 690 | 770 | 870 | 970 | 970 |